

Especially useful when cutting dadoes or tenon shoulders with a backsaw, the Veritas® Saw Depth Stop makes it easy to repeatedly and consistently cut to a preset depth.

The saw depth stop consists of a rail with a magnetic strip, two rods and a pair of rare-earth magnet cups. The assembly can be attached to either side of a backsaw blade, and will accommodate backsaws 9" to 12" long with maximum 3 1/2" deep blades, as well as tapered saw blades.

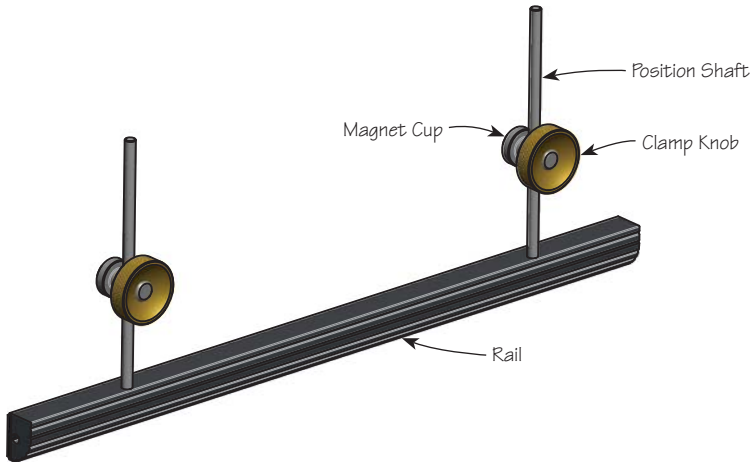


Figure 1: Saw depth stop components.

To install the saw depth stop, place it on the saw plate and butt the magnet cups against the lower edge of the saw spine.

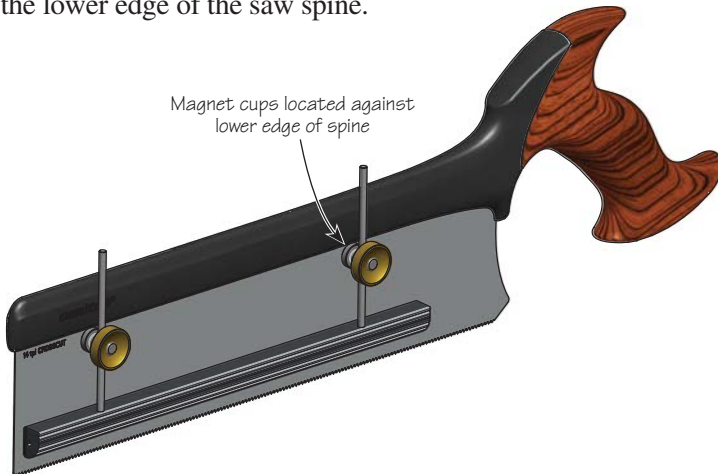


Figure 2: Installing the saw depth stop.

To set the depth of cut, loosen the clamp knobs and move the rail to the desired distance from the tooth line. This can be done a number of ways, including referentially to the workpiece, using set-up blocks or measuring with a ruler or calipers.

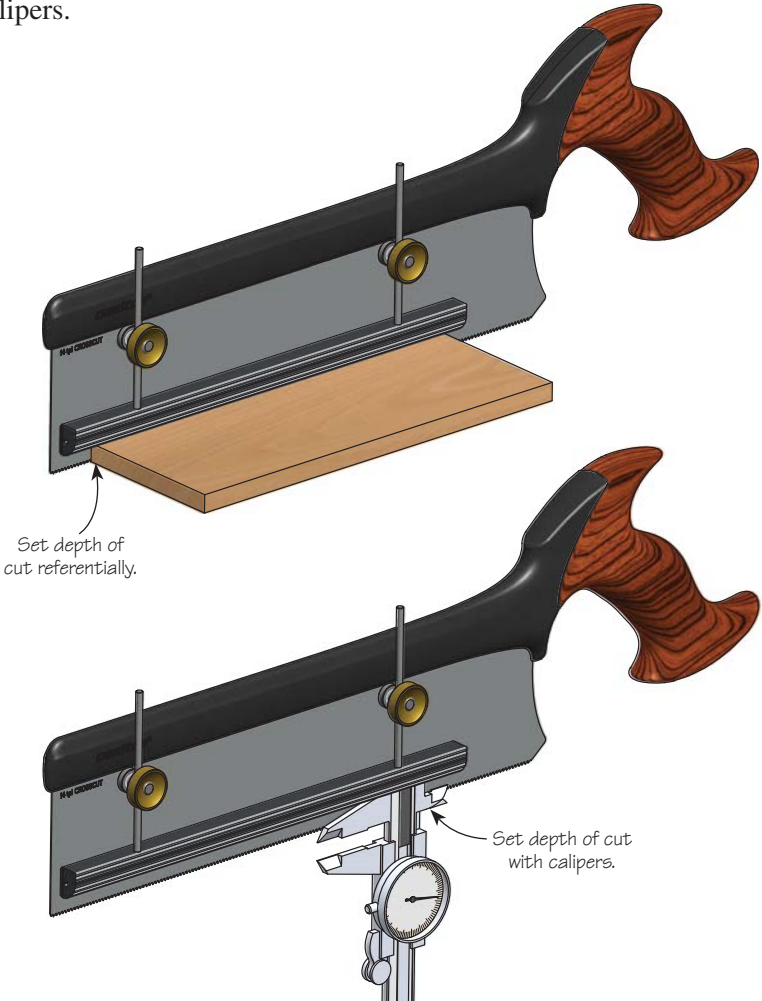


Figure 3: Setting the saw depth stop.

When the required saw depth of cut is set, tighten the clamp knobs and proceed with your cuts. Once the saw depth stop contacts the workpiece, the saw teeth will disengage and there will be no back pressure. Proceed with light cuts as the saw depth stop gets close to the work surface.

veritas[®] Tools Inc.

814 Proctor Avenue 1090 Morrison Drive
Ogdensburg NY 13669-2205 Ottawa ON K2H 1C2
United States Canada

customerservice@veritastools.com
www.veritastools.com