

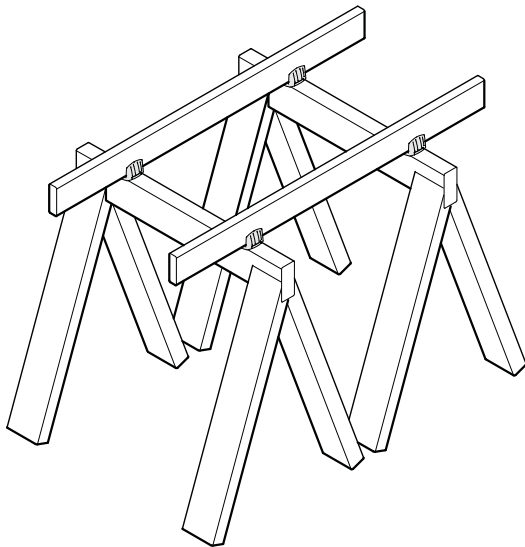
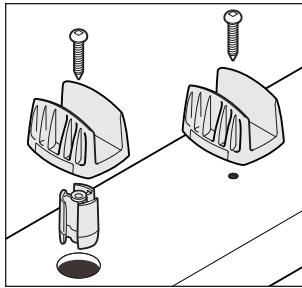
Platform Saddles

These innovative saddles have dozens of practical applications in the workshop or on a job site. Used to hold standard dressed lumber on edge, these platform saddles make for a fast, flexible method of creating a sacrificial work stand-off for drilling, cutting, finishing, etc. While they are ideal for bench-top use, they can be creatively used (and reused) to configure a stable work surface using materials at hand. The 1×3 Platform Saddles (05H41.01) are for use with 1×3* lumber; the 2×4 Platform Saddles (05H41.03) are for use with 2×4* lumber.

* Lumber is not included. You can use whatever nominal width you have on hand (e.g., 1×4 instead of 1×3; 2×6 instead of 2×4).

The removable posts have sprung wings to ensure a snug fit in both 3/4" and 20 mm diameter dog holes for bench use.

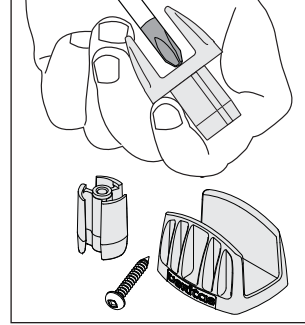
With the posts removed, the platform saddles can be surface mounted wherever you need them (e.g., sawhorses).



Workbench Platform Set-Up

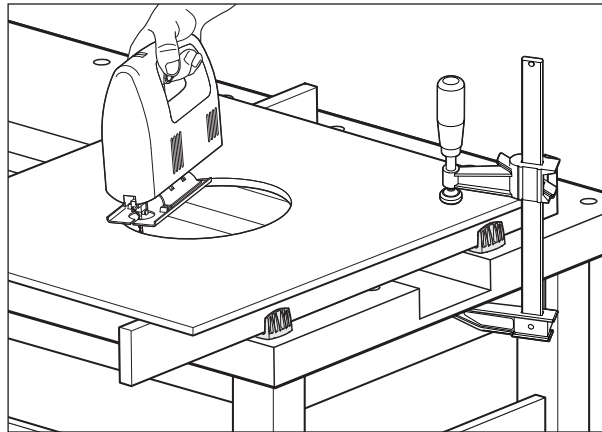
For workbench use, you will need two cross-rail supports (length suited to the task at hand).

1. Fasten a post into each platform saddle using the included screws.
2. Insert the posts into dog holes and clip the cross-rail supports into the mounted platform saddles.
3. Place your workpiece on top and rip or crosscut with confidence.

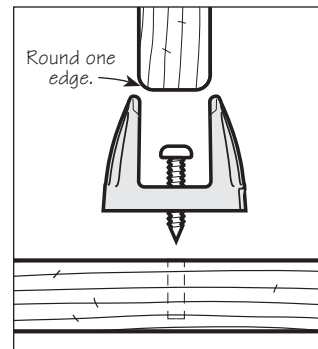


... Tips:

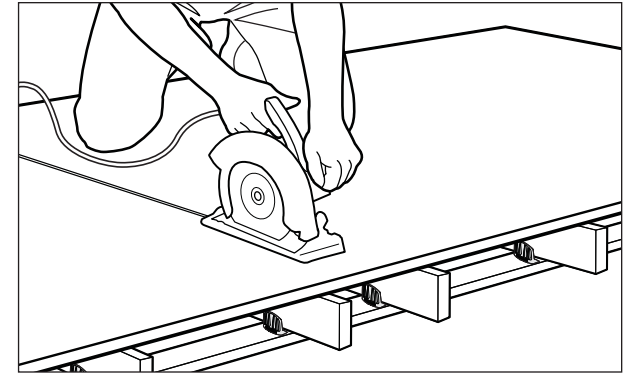
- Securely clamp your workpiece to the underlying surface to ensure it does not shift while you are working on it.



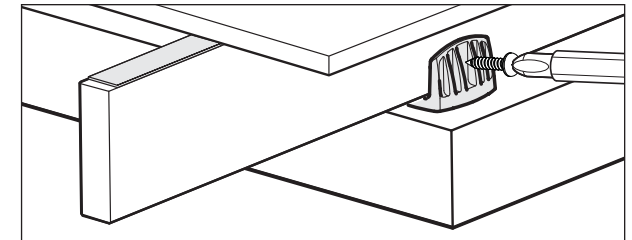
- Chamfer or round one edge of the cross-rail supports for easier insertion into the platform saddles.



- Ensure that the workpiece is supported on both sides of a cut to prevent the offcut from falling after your cut is completed.



- To permanently affix the cross-rail supports into the platform saddles, drive a 3/4" screw (not included) through the side of the platform saddle and into the cross-rail support.
- Cover the tops of your cross-rail supports with a strip of adhesive-backed foam or high-friction tape to provide some friction to ensure your workpiece doesn't slide across the cross-rail supports.
- Alternatively, attach some carpet or pieces of cloth to the cross-rail supports to help prevent scratching your workpiece.



Accessory

To work with larger pieces of sheet stock, our Panel Platform Kit includes 12 platform saddles (without posts), 12 screws and a handy nylon bag. The platform takes less than a minute to set up*, and can be reused to make hundreds of cuts with ease, speed and accuracy. When you're done using it, the kit breaks down quickly and fits neatly into the nylon bag (the platform bases will stick out).

*You supply the 1×3 lumber.

05H41.05 Panel Platform Kit