

Veritas® Bevel Setter

05N66.01
05N66.03

U.S. Pat. 7,698,827

A sliding bevel is an excellent tool for transferring angles but not for reading them. This bevel setter lets you set specific angles (from 0° to 60° in $1/2^{\circ}$ increments) on a sliding bevel or a workpiece, as well as read angles already set. It is ideal for laying out dovetails, for machine set-up, for polygon work, or for accurately fitting a piece in a restricted location.

Angle Measuring

For basic angle measurement, place a sliding bevel's stock against the rule, align its blade with the angle and read the angle (see **Figure 1**).

Setting and Marking

The bevel setter can also be used to repeatedly set a specific angle. Align the adjustable fence to the appropriate graduation and set the sliding bevel (see **Figure 2**). Alternatively, the sliding bevel can be used to mark angles directly on the workpiece, using the fence as a reference face (see **Figure 3**).

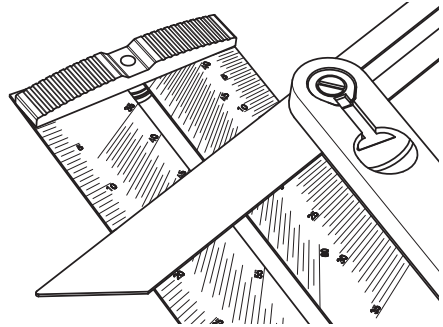


Figure 1: Finding a bevel angle.

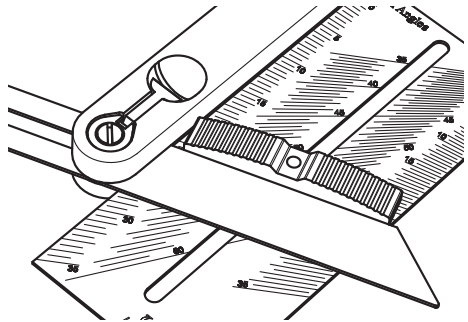


Figure 2: Setting a bevel angle using the fence.

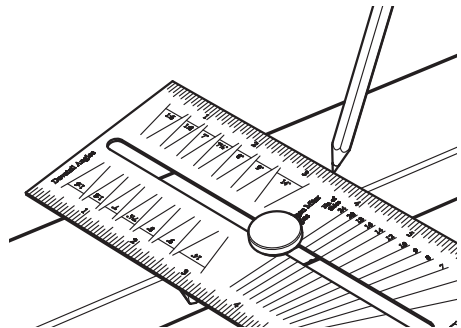


Figure 3: Using the bevel setter to mark a given angle.

Preset Angles

For specific angles, such as those used for dovetails or polygon miter angles, remove the thumbscrew and reattach the fence to the other side of the rule.

The bevel setter can be used to mark offsets by aligning the fence with the graduations on the reverse side of the ruler, or used directly to mark angles.

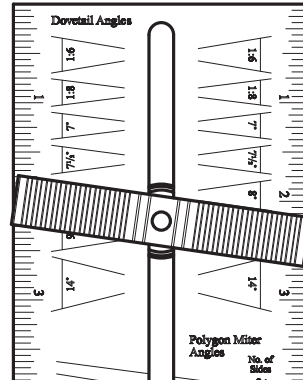


Figure 4: Bevel setter configured for 8° dovetails.

One side of the stainless-steel rule is graduated from 0° to 60° in 1/2° increments. The reverse side is graduated to 7" in 1/16" increments on the the Imperial model and to 175mm in 1mm increments on the metric model, and is also marked with seven common dovetail angles and 12 polygon angles.

veritas® Tools Inc.

814 Proctor Avenue 1090 Morrison Drive
Ogdensburg, New York Ottawa, Ontario
13669-2205 USA K2H 1C2 Canada

customerservice@veritastools.com
www.veritastools.com

678
© Veritas Tools Inc. 2010

INS-447 Rev. A
Printed in Canada.