

veritas[®]
Carcass Saws



U.S. Des. Pat. D605,923

Introduction

The Veritas® saws combine the best characteristics of the classic fine joinery saw with those of state-of-the-art materials and construction methods. The tooth pattern on the thin high-carbon steel blade provides a good balance between cutting action and surface finish. The pistol-grip design of the wooden handle makes it intuitive to hold the saw such that the index finger rests on the stainless-steel/glass/polymer composite spine, which provides strength and rigidity.

Carcass saws are good general-utility saws for cutting the typical joints used in cabinetry, trimming frame members to length, cutting small-to medium-sized tenons, etc. The crosscut carcass saw is designed for cutting across the grain and the rip carcass saw is designed for cutting with the grain. Each saw has an 11" long blade with an effective cutting depth of $2\frac{3}{8}$ ".

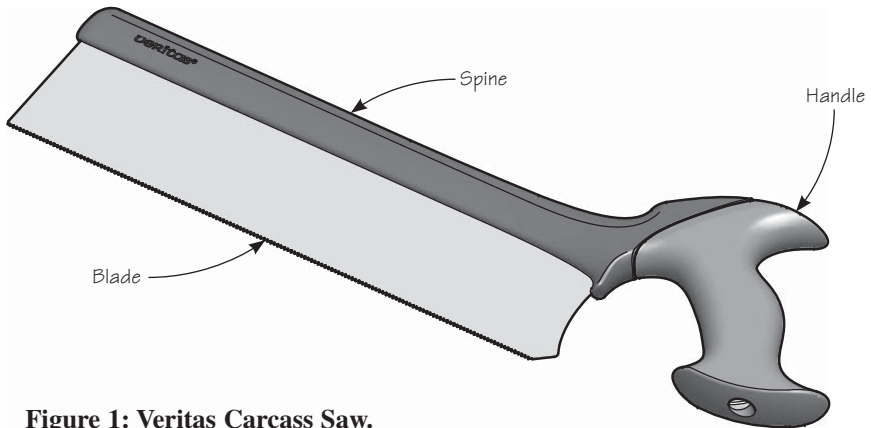


Figure 1: Veritas Carcass Saw.

Sawtooth Geometry

The crosscut carcass saw has 14 tpi, filed with a 15° rake and a 60° included angle. Set is 0.003" per side. The teeth are filed at an alternating 75° angle to the blade, which creates a 15° bevel on each tooth. The crosscut tooth pattern acts like a series of little knives that sever the wood fibers.

The rip carcass saw has 12 tpi, with a 10° rake using the typical 60° included angle. Set is 0.003" on each side.

As supplied, these saws will have residual sharpening burrs on the teeth. While the burrs will disappear as the saw is "broken in", a light stoning before initial use will improve starting cuts.

Place the blade on a flat surface, letting the spine overhang the edge. Lightly run a stone (no coarser than 1200x) over each side of the blade, taking no more than one stroke per side.



Caution: Stoning will reduce the set in the teeth. Since there is very little set in the teeth, you want to be sure not to remove too much of it.

Since the blade is high-carbon steel, the teeth can be resharpener when necessary. Please refer to references, such as *The Complete Guide to Sharpening* by Leonard Lee (Taunton Press), for detailed directions on sharpening a saw blade.

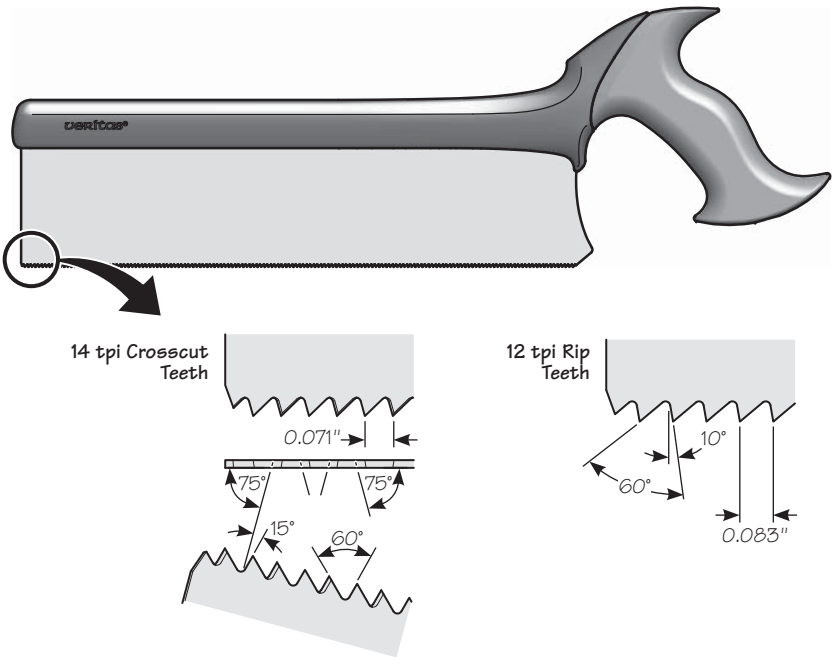


Figure 2: Sawtooth geometry for crosscut carcass and rip carcass saws.

Replacing the Handle

The joint between handle and spine is such that sawing loads are not transferred through saw bolts. Since it is attached to the spine using a single threaded stud, the handle can be quickly replaced if necessary.

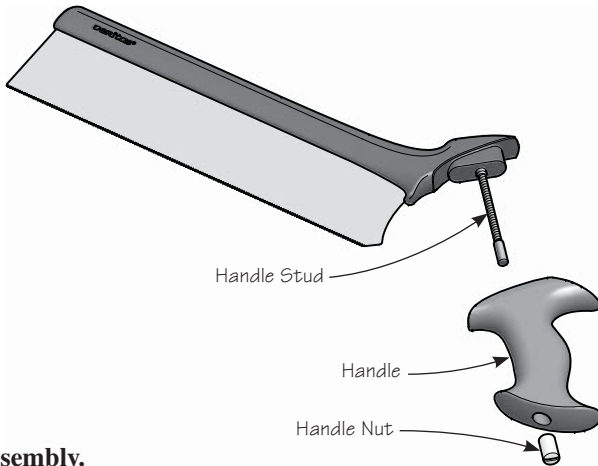


Figure 3: Assembly.

While the handle shape has been carefully developed to offer the best comfort level, we recognize that every woodworker has a preferred handle type. You may want to modify the existing handle, or make your own from scratch. The critical dimensions for the handle are shown in **Figure 4**. Make your handle such that the large boss on the spine bottoms out in the oval cavity in the top of the handle. The only critical curve is the one that surrounds the oval cavity, as this must match to the mating curve on the spine; otherwise, any shape that fits your hand comfortably will do.

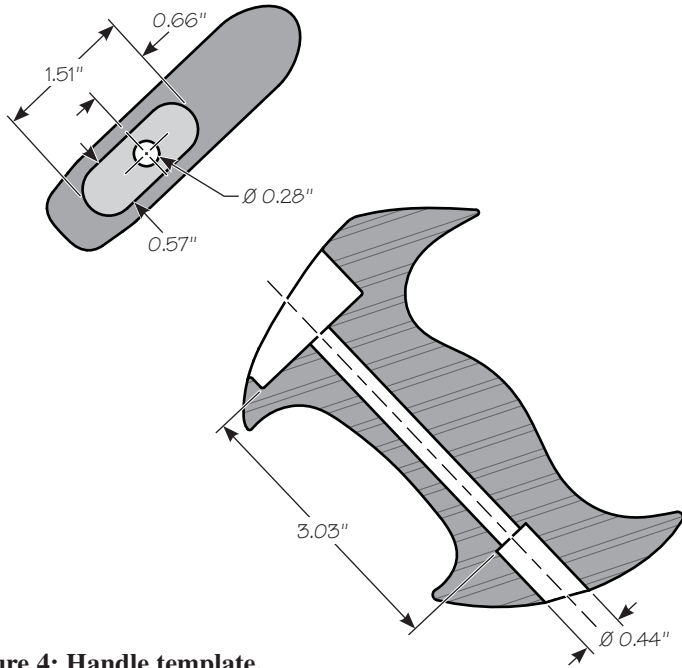


Figure 4: Handle template.

Care and Maintenance

- To ensure many years of service and to prevent damaging the fine teeth, always store the saw with the blade protector in place.
- A light coating of wax will prevent the blade from rusting.
- Rubbing paraffin wax on the side of the blade just before use will also allow the saw to run more smoothly through the cut.
- Do not use beeswax candles; beeswax will gum everything up.

Accessories

05T05.01	Dovetail Saw, 14 tpi
05T05.05	Fine-Tooth Dovetail Saw, 20 tpi
05T06.01	Small Crosscut Saw, 16 tpi
05T07.01	Crosscut Carcass Saw, 14 tpi
05T07.05	Rip Carcass Saw, 12 tpi

veritas[®] Tools Inc.

814 Proctor Avenue 1090 Morrison Drive
Ogdensburg, New York Ottawa, Ontario
13669-2205 USA K2H 1C2 Canada